

## ■ SUPER HEAVY DUTY · SHD SERIES

# SHD73020

12 V Truck &amp; Commercial Vehicle Starter Battery

SEALED · MAINTENANCE-FREE

SILVER CALCIUM

Super Heavy Duty

**12** V

NOMINAL VOLTAGE

**230** Ah

CAPACITY (20HR)

**1200** A

COLD CRANK (EN)



FIG.1 – SHD73020 / H52 CASE

**01 High Cranking Power**

Calcium-alloy plates hold strong start-up output, even in extreme heat.

**02 Maintenance-Free**

Sealed dual-cover labyrinth design — no topping up, no electrolyte loss.

**03 Vibration Resistant**

Envelope separators wrap plates to survive road shock and resist shorting.

**04 Low Self-Discharge**

Forged Pb-Ca grids cut gassing and water use for longer shelf life.

## ■ SPECIFICATIONS

## ELECTRICAL

Nominal Voltage	<b>12 V (6 cells)</b>
Capacity – C20 (20HR)	<b>230 Ah</b>
Cold Crank – CCA (EN)	<b>1200 A</b>
Reserve Capacity	<b>~ 420 min *</b>
Technology	<b>Flooded · Silver Calcium</b>
Maintenance	<b>Free (sealed, no topping)</b>

## PHYSICAL

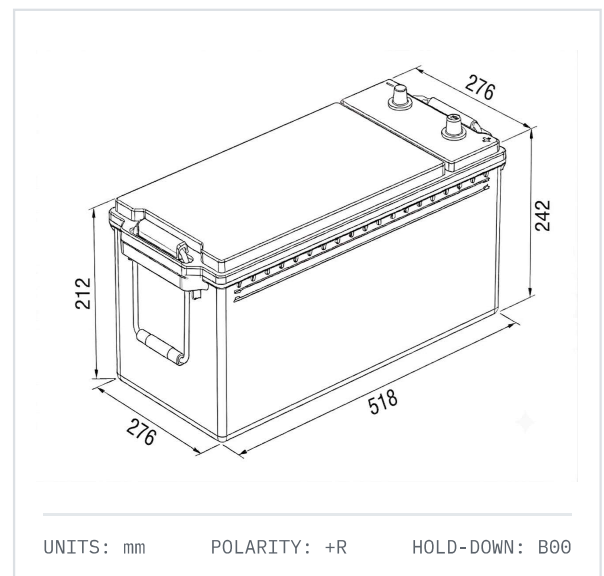
Length (L)	<b>518 mm</b>
Width (W)	<b>276 mm</b>
Height w/ terminals (H)	<b>242 mm</b>
Weight (filled)	<b>~ 62.0 kg *</b>
Container / Cover	<b>Polypropylene (PP)</b>
Terminal / Vent	<b>Std. cone · flame arrestor</b>

\* Indicative – typical for the MF210H52 / 73020 class. Confirm against the product label before fitment.

## ■ CROSS-REFERENCE

MF210H52R	H52	MF245H52R	MF72512	
N200	N9	72518	72027	73011

## ■ DIMENSIONS



## ■ APPLICATIONS

Trucks & HGV	Agricultural	Buses & Coaches
Construction	Marine Starting & Deep Cycle	