

■ SUPER HEAVY DUTY · SHD SERIES

SHD68020

12 V Truck & Commercial Vehicle Starter Battery

SEALED · MAINTENANCE-FREE

SILVER CALCIUM

Super Heavy Duty

12 v

NOMINAL VOLTAGE

180 Ah

CAPACITY (20HR)

1050 A

COLD CRANK (EN)



FIG.1 – SHD68020 / DIN B CASE

01 High Cranking Power

Calcium-alloy plates hold strong start-up output, even in extreme heat.

02 Maintenance-Free

Sealed dual-cover labyrinth design — no topping up, no electrolyte loss.

03 Vibration Resistant

Envelope separators wrap plates to survive road shock and resist shorting.

04 Low Self-Discharge

Forged Pb-Ca grids cut gassing and water use for longer shelf life.

■ SPECIFICATIONS

ELECTRICAL

Nominal Voltage	12 V (6 cells)
Capacity – C20 (20HR)	180 Ah
Cold Crank – CCA (EN)	1050 A
Reserve Capacity	~ 320 min *
Technology	Flooded · Silver Calcium
Maintenance	Free (sealed, no topping)

PHYSICAL

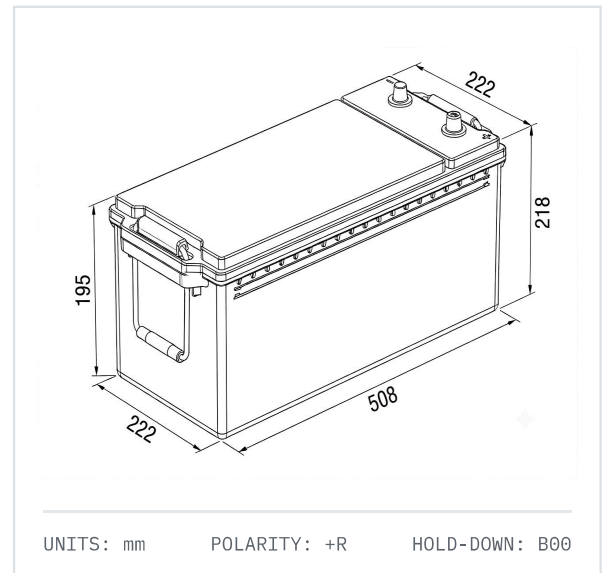
Length (L)	508 mm
Width (W)	222 mm
Height w/ terminals (H)	218 mm
Weight (filled)	~ 48.0 kg *
Container / Cover	Polypropylene (PP)
Terminal / Vent	Std. cone · flame arrestor

* Indicative – typical for the MF160G51 / 68020 class. Confirm against the product label before fitment.

■ CROSS-REFERENCE

MF160G51R	G51	MF68032	66514	68032
67018	70032	M18	EE1853	

■ DIMENSIONS



UNITS: mm POLARITY: +R HOLD-DOWN: B00

■ APPLICATIONS

Trucks & HGV	Agricultural	Buses & Coaches
Construction	Marine Starting & Deep Cycle	