

12Volt

52ah @3hr
68ah @20hr

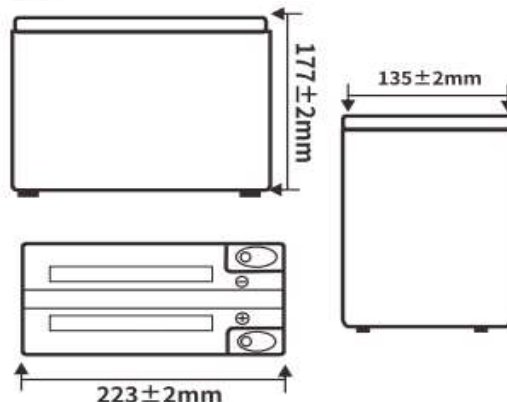
VRLA AGM-GEL / Non Spilable / Maintenance Free



SPECIFICATION

Nominal Voltage	12V (6 cells)				
Nominal Capacity					
	20-HR	10-HR	5-HR	3-HR	2-HR
	68Ah	62Ah	56Ah	52Ah	45Ah
Approximate Net Weight	14.5 kgr (31.96 lbs)				
Internal Resistance (approx.)	< 11 milliohms				
CHARGER VOLTAGE SETTINGS (@ 77°F/25°C)					
System Voltage	12	24	36	48	
Max.Charging Current (A)	0.2 x C3				
Equilize Charging Voltage	14.7	29.4	44.1	58.8	
Standby Charging Voltage	13.7	27.4	41.1	54.8	
Terminal	M5-Φ11.8				
Operating Temp. Range	-25°C to 55°C (-13°F to 131°F)				
Recom. Operating temp.	15°C to 25°C (59°F to 77°F)				
Self Discharge					
1 month	97%				
3 months	90%				
6 months	80%				
AEG DMF series's self discharge is <3%/month at 20°C (68°F)					
The Storage period may up to 6 months at 20°C (68°F) and then a freshening charge is required					
Case and cover	A.B.S. , UL94-VD (optional)				

DIMENSIONS (mm)



The **DMF Series** is engineered to deliver superior performance for your low-speed electric vehicles. By combining **AGM (Absorbed Glass Mat)** and **GEL (Fumed Silica)** technologies with our latest innovative designs, we've created a battery that offers increased power, extended service life, and exceptional reliability. This valve-regulated, sealed design ensures a **100% maintenance-free** motive power solution. Have the confidence of knowing your forklift, golf cart, sweeper, or wheelchair will keep moving longer.

APPLICATION

A whole range of EV applications including but not limited to:



E-scooter



Electric Tricycle

FEATURE

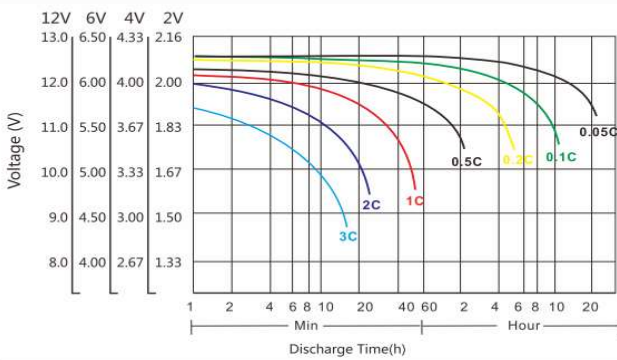
- Anti-vibration effect: adopting enhanced vibration-resistance design, battery can be used in low speed electric vehicle without a shock proof system.
- Good recovery performance: adopting the unique formula of active materials, the battery is resistance to deep discharging and has good recovery performance
- Excellent big current discharge performance: adopting low resistance material, the inner resistance is smaller
- Low/High temperature resistance: suitable for indoor and outdoor use in varies environment.
- Patented nanometer level fumed silica gel electrolyte
- Strict quality control manufacturing processes, ISO9001 approve
- IEC, CE, RoHS, ISO9001,ISO14001

Product Features

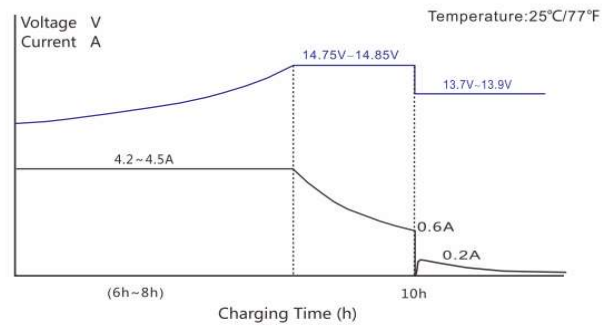


Electrical Characteristics

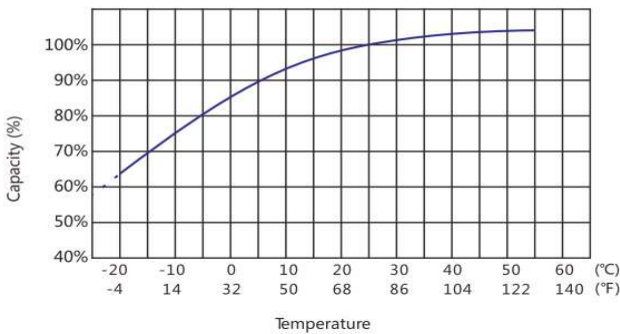
Discharge Characteristics(25°C)



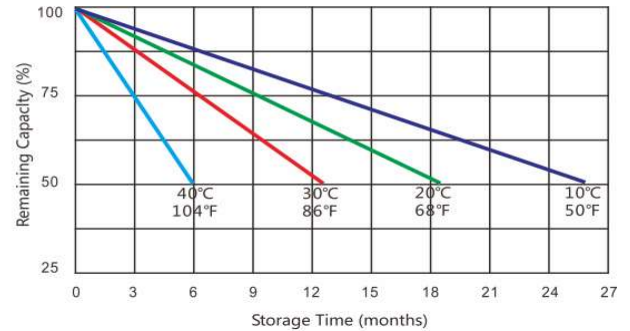
Charging Characteristics(25°C)



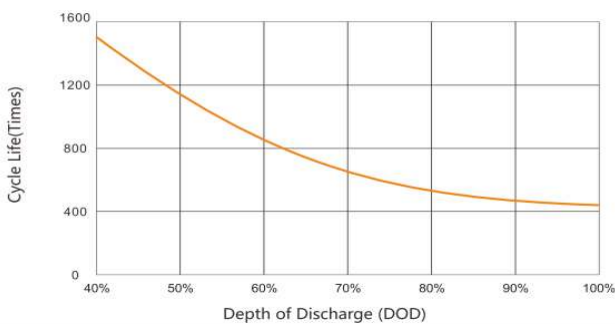
Capacity vs Temperature



Self-discharge vs Time



Cycle Life vs Depth of Discharge



Cycle Life vs Remaining Capacity@25°C(77°F)

